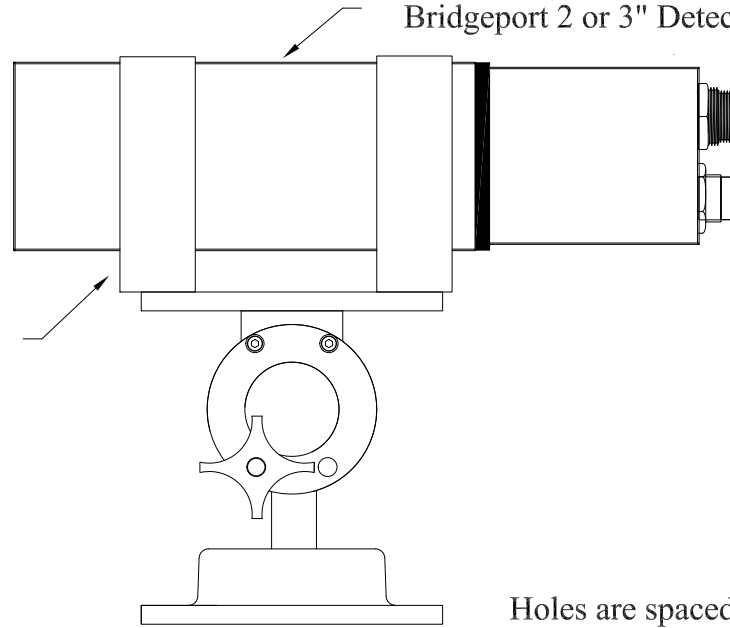


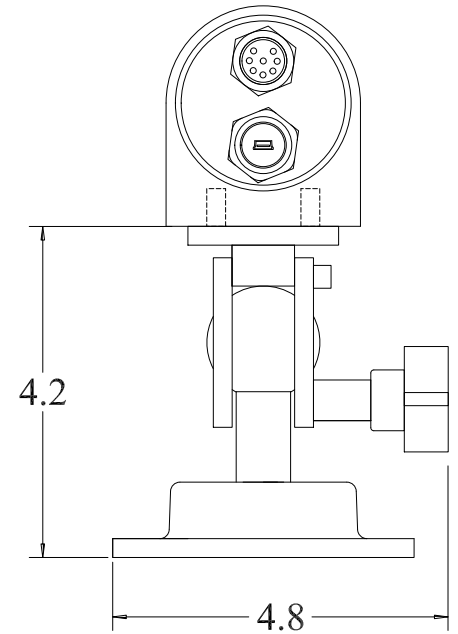
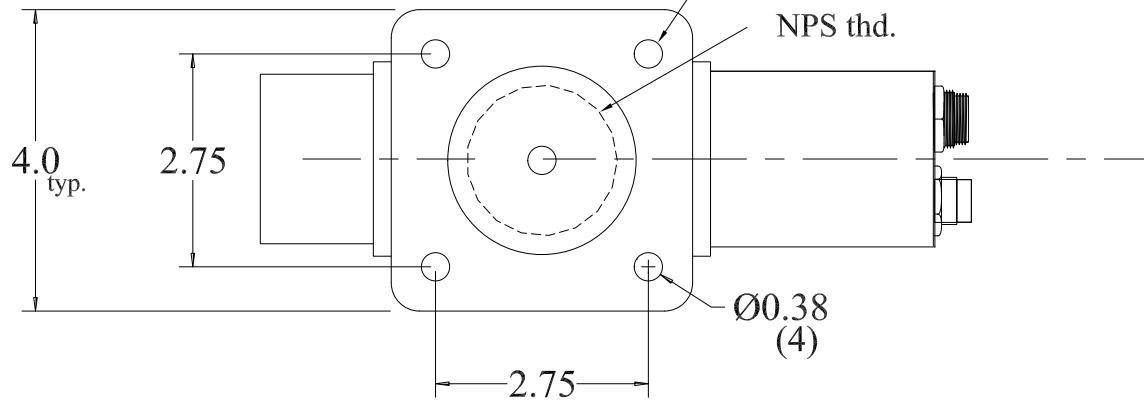
Bridgeport 2" Detector
 (shown with usbBase MCA.
 Mount will adapt to any
 Bridgeport 2 or 3" Detector)

Delrin (plastic) Adapter/Mount



Holes are spaced for standard
 5/16-18 x 2-1/2 U-Bolts

1-1/2"
 NPS thd.



Ph: (512)533-9933
 FAX: (512)533-9934
 www.BridgeportInstruments.com

Standard Tolerances (unless otherwise noted)

0.X = ± .03
 0.XX = ± .015
 0.XXX = ± .005

Angular Degrees
 ± 2 Degrees

Project Description:

Mounting Options

Drawn by: M Hailson

Drawing Number
 0000640

Title 2" Detector Universal Mount

Date:

Revision
 A

Sheet 1 of 1