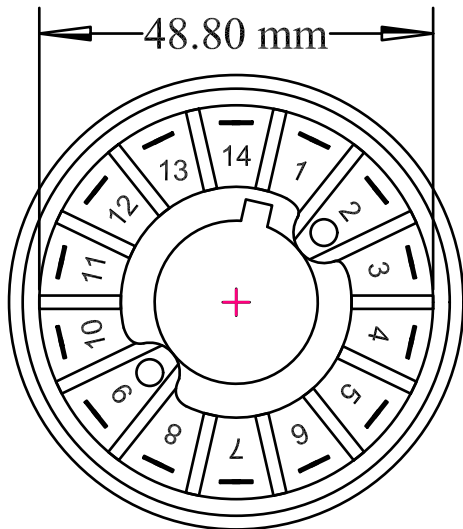
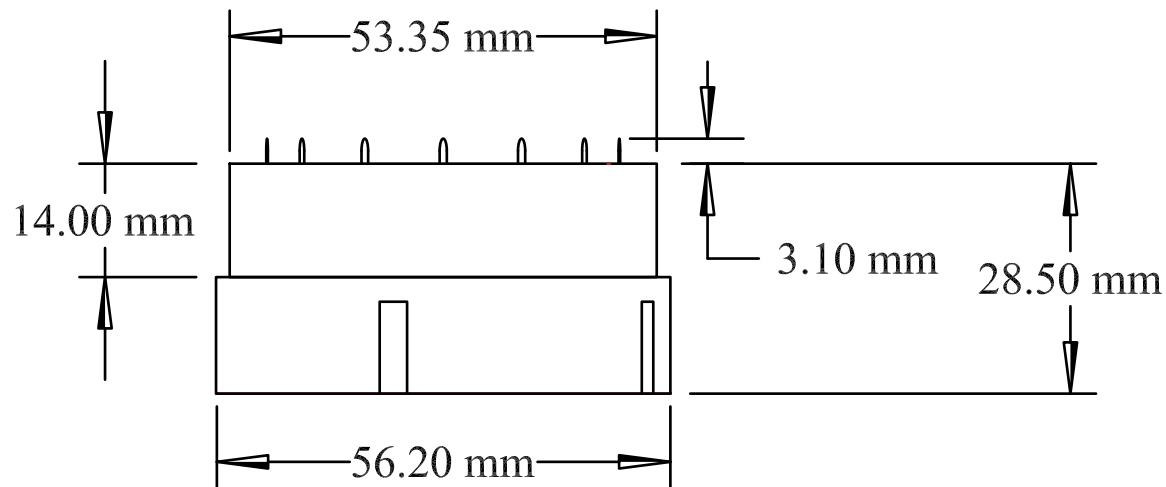
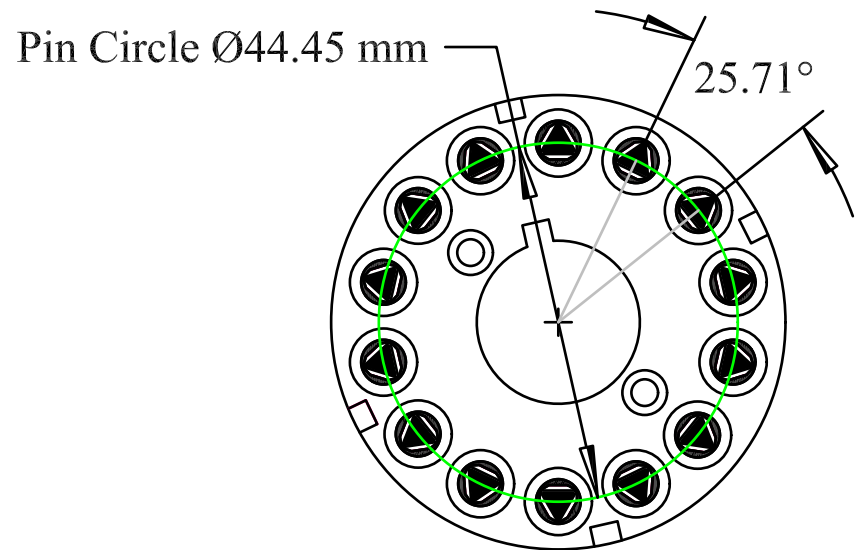


PCB Mount Diheptal Socket (Mates PMTs with B14A end cap)

PC Board View
(Top)



Tube Side View
(Bottom)



PC Board View
(Top)

